

FATHER'S DAY PINWHEEL BLOCK (7.5" square)

This block was chosen for a couple of reasons. First I wanted something that would make a great Father's Day quilt for that special father in the winner's life. Second of course these blocks can be made out of fabric from your stash. Also, after making the sample blocks, I had a new appreciation for our foremothers and their quilting skills. Finally, this block will help some learn and others review inset seams.

So here we go:

Supplies:

Light tan stripe background (think of a men's shirt)
rose center block
medium or dark for blades

Cutting:

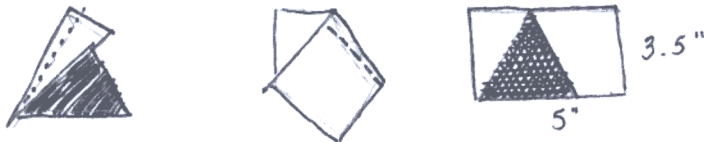
from lt. tan background, cut
4 template B triangles
4 template C trapezoids

from med. or dark, cut
4 template A triangles

from rose, cut
1 2" square

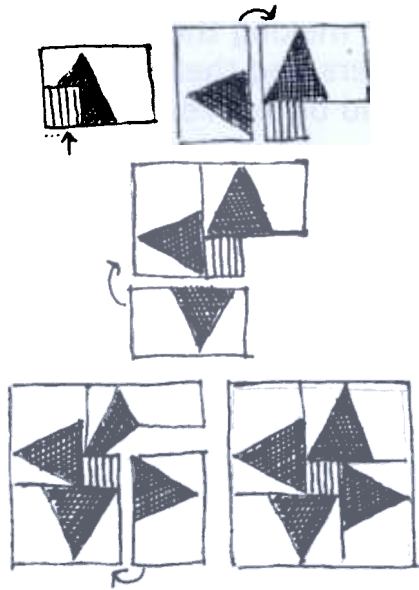
Sewing:

For each block sew (1) light long B triangle to the left side of (1) medium or dark triangle as shown. Stitch (1) light C trapezoid to the right side of the medium or dark triangle to make a rectangular unit. Make 4. Trim to measure 3.5" x 5" unit. **Very important**



Sew the 2" red vine square to the bottom left end of (1) rectangular unit as shown, starting at the bottom left corner and stopping 1/2" from the adjacent corner to begin the block unit. Press open.

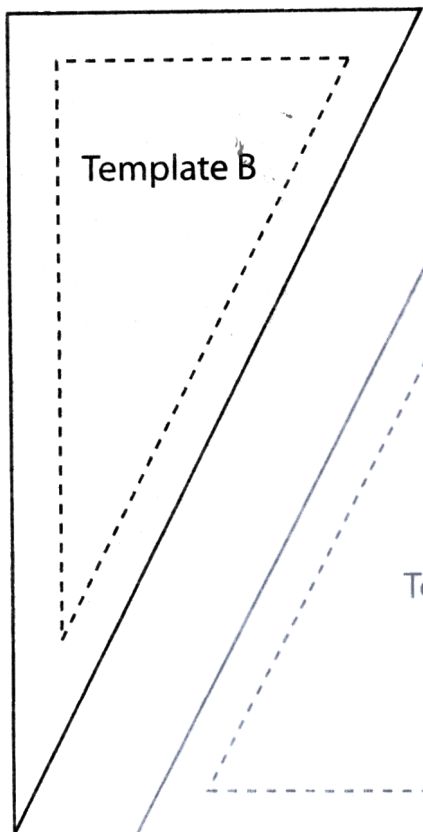
Stitch a second rectangular unit to the left side of the block unit as shown. In the same manner, stitch a third rectangular unit to the bottom of the block unit. Sew the fourth rectangular unit to the right side of the block unit. Finish sewing the first seam to make pinwheel block.



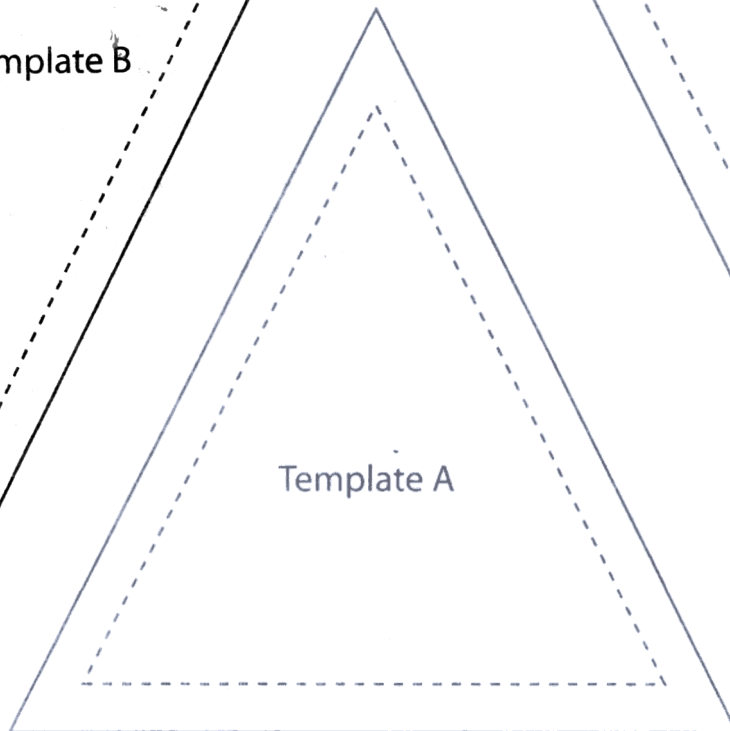
Catch the Breeze

Page 76

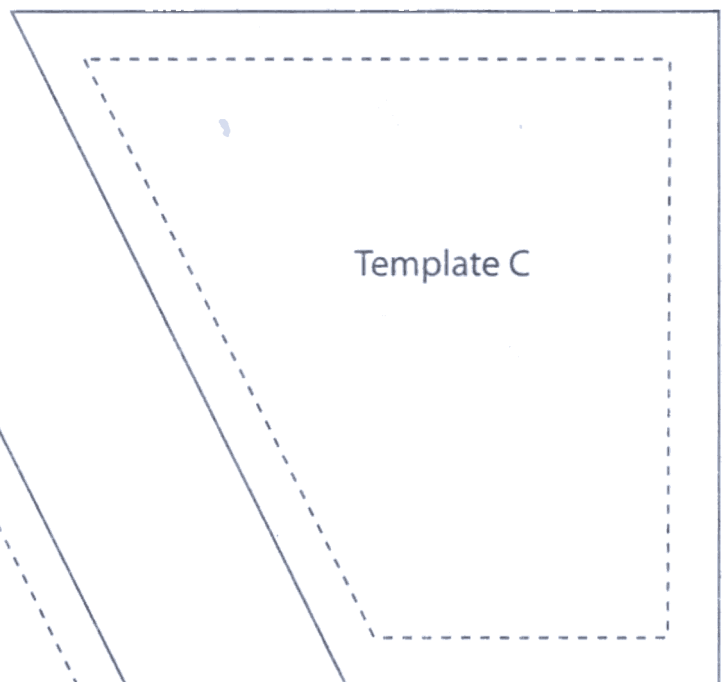
Patterns shown at 100%



Template B



Template A



Template C